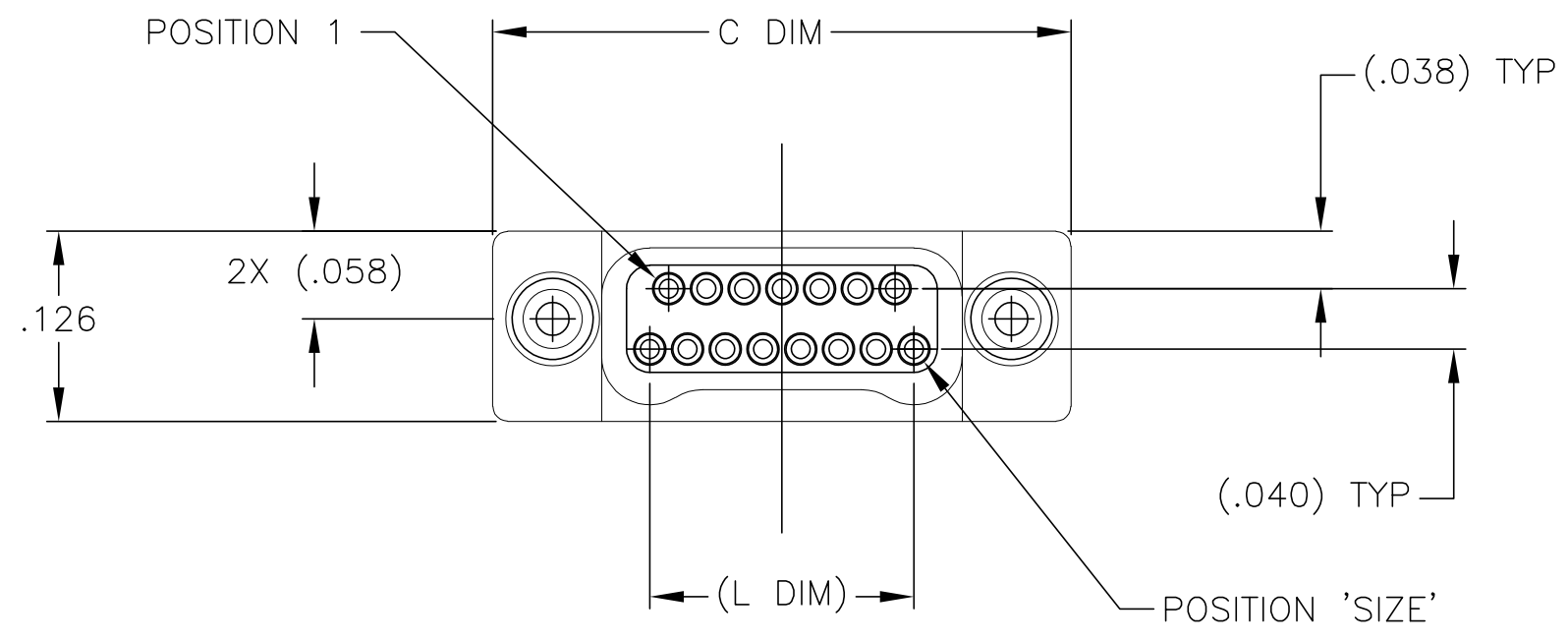
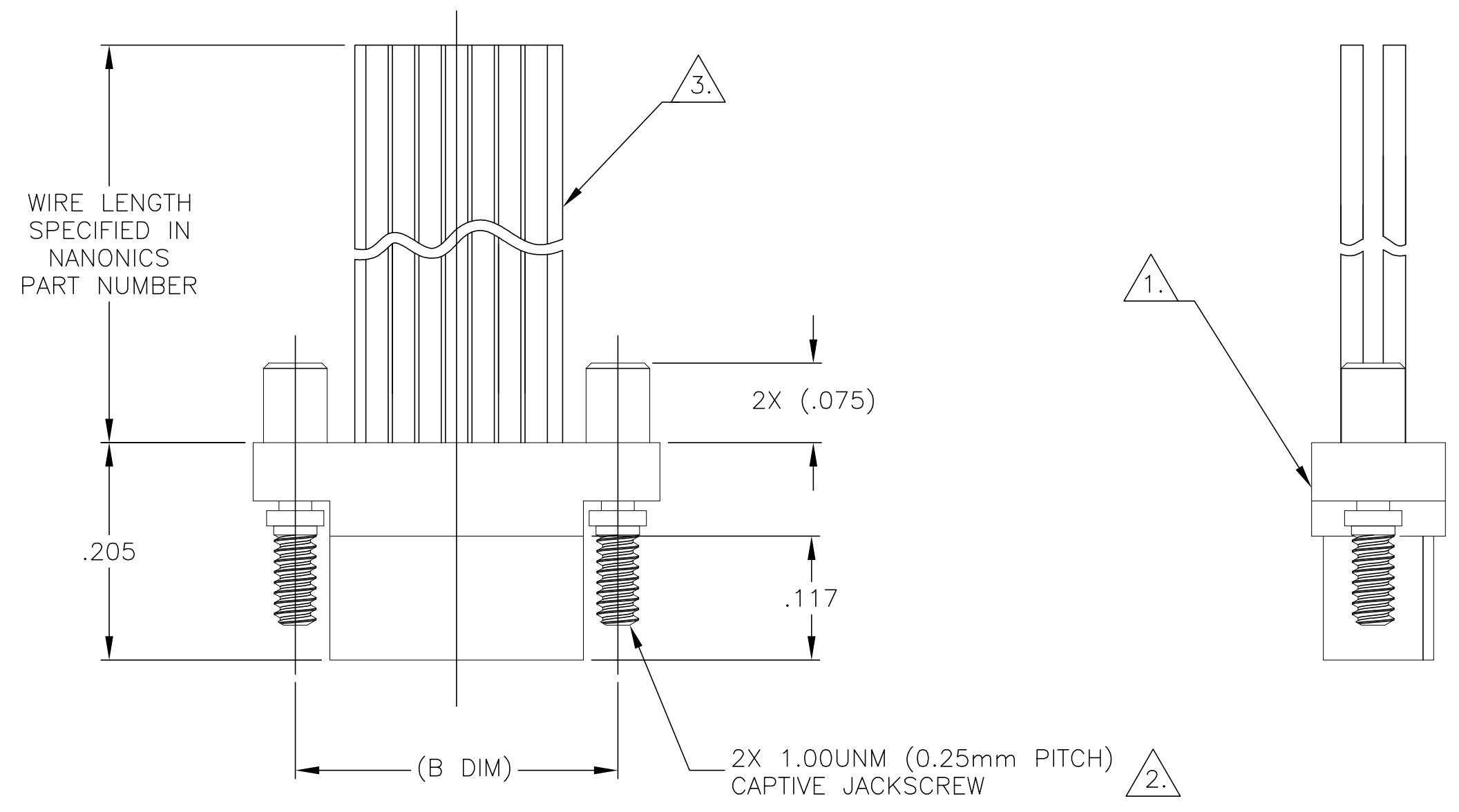


THIS DRAWING IS UNPUBLISHED. RELEASED FOR PUBLICATION
 © COPYRIGHT - By - ALL RIGHTS RESERVED.

| LOC | | DIST | | REVISIONS | | | |
|-----|-----|-------------|---------------------------|-----------|------|-----|--|
| P | LTR | DESCRIPTION | DATE | DWN | APVD | | |
| DF | DO | R1 | REVISED PER ECO-11-005139 | 21MAR11 | RK | HMR | |



| SIZE | (B DIM) | C DIM ±.0050 | (L DIM) |
|------|---------|-----------------|---------|
| 09 | (.229) | .3085 | (.100) |
| 15 | (.304) | .3835 | (.175) |
| 25 | (.429) | .5085 | (.300) |
| 37 | (.579) | .6585 | (.450) |
| 51 | (.754) | .8335 | (.625) |
| 65 | (.929) | 1.0085 | (.800) |

- 1. SHELL OPTIONS (TO BE SPECIFIED IN NANONICS PART NUMBER):
 METAL: 6061-T6 ALUMINUM, ELECTROLESS NICKEL PLATED PER MIL-C-26074 (STANDARD) OR GOLD PLATED PER MIL-G-45204
 303 STAINLESS STEEL, PASSIVATED PER SAE-AMS-QQ-P-35
 INSULATOR MATERIAL FOR ALL METAL SHELLS IS LIQUID CRYSTAL POLYMER (LCP) PER MIL-M-24519 OR PER ASTM D5138
 PLASTIC: LIQUID CRYSTAL POLYMER (LCP) PER MIL-M-24519 OR PER ASTM D5138
- 2. STANDARD 1.00UNM CAPTIVE JACKSCREWS ARE SHOWN FOR REFERENCE ONLY AND MUST BE SPECIFIED IN THE NANONICS PART NUMBER WHEN REQUIRED. JACKSCREW MATERIAL IS 303 STAINLESS STEEL, PASSIVATED PER SAE-AMS-QQ-P-35, AND DRY LUBED PER DOD-L-85645. RETAINING RING IS 17-4 STAINLESS STEEL, PASSIVATED PER SAE-AMS-QQ-P-35. JACKSCREWS HAVE A .9mm HEX SOCKET HEAD. 1.20UNM JACKSCREWS ALSO AVAILABLE.
- 3. THIS CONFIGURATION MAY BE TERMINATED WITH 28 AWG SOLID, 30 AWG STRANDED OR SMALLER WIRE, OR RIBBON CABLE. CONDUCTOR TYPE AND LENGTH MUST BE SPECIFIED IN NANONICS PART NUMBER.
- 4. THIS DRAWING PREVIOUSLY IDENTIFIED AS NANONICS N10138/201

| | | | | | | | | | | | | | | | | | | | | | | |
|---|---|-------------------------------|--|-----------------------|-------|---|---|-------|---|------|-------|---|------|-------|---|---|--------|---|----|-------------------|------------|--|
| THIS DRAWING IS A CONTROLLED DOCUMENT. | | DWN D. RYAN 21 APR 92 | | | | | | | | | | | | | | | | | | | | |
| DIMENSIONS: INCHES | | CHK E. PAULUS 15 MAY 98 | | | | | | | | | | | | | | | | | | | | |
| TOLERANCES UNLESS OTHERWISE SPECIFIED: | | APVD M. STORRY 5 APR 01 | NAME PLUG ASSEMBLY, FLYING LEADS, TWO ROW DUALOBE, PLASTIC OR METAL | | | | | | | | | | | | | | | | | | | |
| <table border="1"> <tr> <td>0 PLC</td> <td>±</td> <td>-</td> </tr> <tr> <td>1 PLC</td> <td>±</td> <td>-</td> </tr> <tr> <td>2 PLC</td> <td>±</td> <td>.010</td> </tr> <tr> <td>3 PLC</td> <td>±</td> <td>.005</td> </tr> <tr> <td>4 PLC</td> <td>±</td> <td>-</td> </tr> <tr> <td>ANGLES</td> <td>±</td> <td>1°</td> </tr> </table> | | 0 PLC | ± | - | 1 PLC | ± | - | 2 PLC | ± | .010 | 3 PLC | ± | .005 | 4 PLC | ± | - | ANGLES | ± | 1° | PRODUCT SPEC - | SIZE A2 | |
| 0 PLC | ± | - | | | | | | | | | | | | | | | | | | | | |
| 1 PLC | ± | - | | | | | | | | | | | | | | | | | | | | |
| 2 PLC | ± | .010 | | | | | | | | | | | | | | | | | | | | |
| 3 PLC | ± | .005 | | | | | | | | | | | | | | | | | | | | |
| 4 PLC | ± | - | | | | | | | | | | | | | | | | | | | | |
| ANGLES | ± | 1° | | | | | | | | | | | | | | | | | | | | |
| MATERIAL SEE NOTES | | APPLICATION SPEC - | CAGE CODE 00779 | DRAWING NO 1589472 | | | | | | | | | | | | | | | | | | |
| FINISH SEE NOTES | | WEIGHT - | RESTRICTED TO - | SCALE 8:1 | | | | | | | | | | | | | | | | | | |
| | | CUSTOMER DRAWING | SHEET 1 OF 1 | REV R1 | | | | | | | | | | | | | | | | | | |

1589472